

PC accessory Specification

# AS-NMT1312P-25

# AS-NMT1312P-1000

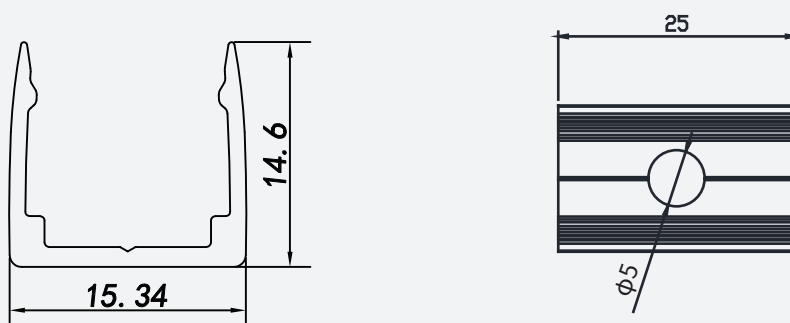


## 【Features】

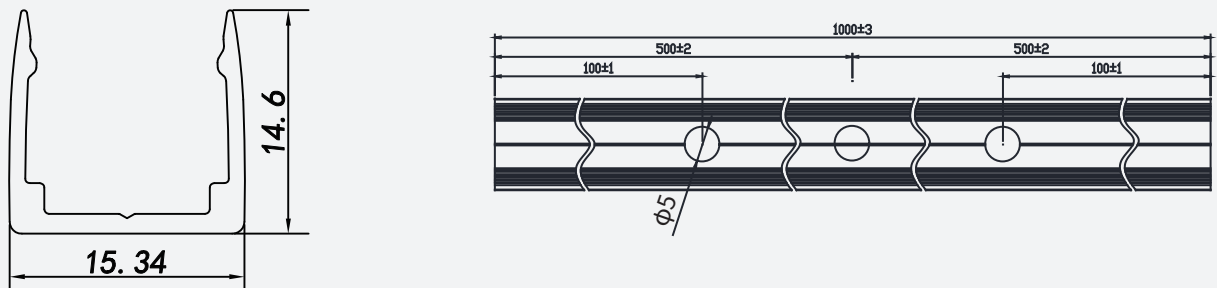
- Material: PC;
- Operating environment: indoor and outdoor;
- Installation: screw flat mounting;
- Cross-sectional size: W15.4mm\*H14.6mm;
- Warranty: 3 years.

## 【Mechanical Parameter】

AS-NMT1312P-25



AS-NMT1312P-1000



## 【Specification information】

Describe	Accessories Picture	Order model	Quantity/ case (PCS)	Net weight (kg)	Per box net weight (kg)	Gross weight (kg)	Packages (mm)	Range of applications
Flat mounting PC groove		AS-NMT1312P-1000	60	0.066	3.96	5	1180*125*115	suit to:AFT1312/AHT1312/ ANT1312/NMT1312/ AFT1312U/AHT1312U/NMT1312U
Flat mounting of PC clip		AS-NMT1312P-25	350	0.004	1.4	1.655	250*250*150	suit to:AFT1312/AHT1312/ ANT1312/NMT1312/ AFT1312U/AHT1312U/NMT1312U

## 【Precautions】

- Do not use any acid or alkaline adhesive to fix products(including not limited to glass cement,etc).
- Please use professional cutting tools when cutting.